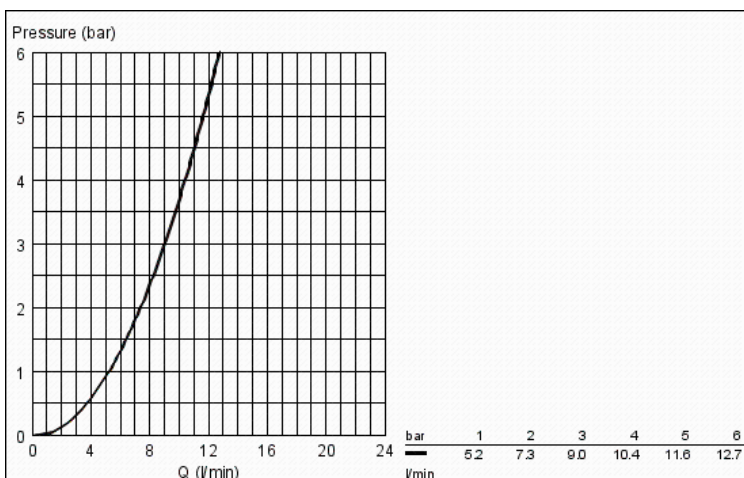
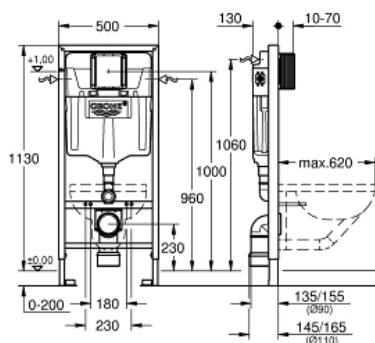


Rapid SL for WC

MODEL # 38528001

Pure Freude
an Wasser

GROHE



Product Description:

Rapid SL for WC

Standard Specification:

flushing cistern GD 2

1.13 m installation height

for on-the-wall installations or studded walls
powder coated steel frame, self-supporting
for dry-cladding, completely pre-assembled
with fixed connections
quick adjustment, lockable
fixing material
TÜV approved

2 WC fixing bolts

fixing device for ceramic

WC ceramics with small bearing area (less than 205 mm)

require additional accessory 38 779 000

distance of fixing bolts 180/230 mm

outlet bend Ø 90 mm

depth adjustable

reducer Ø 90/110 mm

inlet and outlet connecting set

flushing cistern GD 2, 6 - 9 l

adjustment ex factory 6 l and 3 l

pneumatic discharge valve offering 3 modes of
operation: dual flush or start/stop or single flush

water supply from left/right or back

low noise (group I acc. to German Noise Specification)

insulated against condensation

½" water supply connection including integrated

angle valve and push fit flexible hose union

no tools required for the installation of the inspection shaft

including protection during construction phase

for vertical or horizontal use

without accessories for on-the-wall installation

for mounting of small flush plates please order

revision shaft 40 911 000 (sold separately)

Color:

□ 38528001